

Rittal – The System.

Faster – better – everywhere.

Digital Brochure

ENCLOSURES

POWER DISTRIBUTION

CLIMATE CONTROL

IT INFRASTRUCTURE

SOFTWARE & SERVICES

FRIEDHELM LOH GROUP

www.rittal.ca



Rittal – The System.

Faster – better – everywhere.



System Accessories

Base/Plinth

Flex-Block Base/Plinth System	424
TS Base/Plinth	426
Base/Plinth	433

Base

Base	435
------------	-----

Walls

Sidewalls	450
Partition Walls	453
Interconnect Kit	458

Baying Systems

Baying	460
--------------	-----

Doors/Locks

Door Models	467
Expansion Accessories for TS Modular Front Design	469
Viewing Windows/Operating Panels	473
Lock Systems	478
Hinges	492
Door, External/Internal	493

Roof/Wall Mounting

Roof	499
Wall Mounting	503

Interior Fittings

Mounting Plates	507
Rail Systems	514
Assembly Components	533
Component Shelves	540
System Lights	545
EMC	551
Interior Fittings for Areas at Risk of Earthquake	554
Grounding	555

Cable Routing

Cable Entry	561
Flange Plates	564
Cable Gland	568
Cable Gland	569
Cable Management	572
Cable Routing 19"	582

19" Installation System

Pivoting Frame	587
Accessories for Data Rack	591
Profile Rails	592
Slide Rails	596
19" Fittings	598
Patch Panels	603
Splicing Boxes	604

Human/Machine Interface

Handles	605
External Mounting Accessories	607
Front Fittings	608
Keyboards, Supports and Drawers	610
Interfaces	617
Signal Pillars	619

Technical Information

RittalXpress	622
CE/Grounding/HD/Model Numbers	623
Protection Categories	624
NEMA	625
Approvals/Equipment Grounding Conductor	627
Coating/Spray Finish	628



Rain canopies

for AE, CM

Reliable protection for outdoor siting – with water run-off to the rear. Easy to retro-fit.

Supply includes:

- Assembly components



Accessories:

- Condensate discharge, see page 448
- Pressure relief plug, see page 448
- Wall mounting bracket 2503.010 and 2508.010, see page 504

Note:

- For outdoor siting, we generally recommend a rain canopy above the housing or above the gap between the door and the housing, in order to protect against water and UV radiation
- Testing of IP protection categories for water protection (2nd code number to IEC 60 529) cannot be equated with the requirements for an enclosure sited outdoors or in similar conditions
- Additional measures should be implemented depending on the environmental conditions (see "Technical Information")

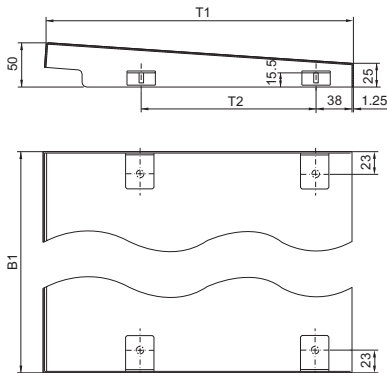
for AE, stainless steel version

Material:

- Stainless steel 1.4301 (AISI 304)

Surface finish:

- Brushed, grain 240



B1 = Housing width +11 mm

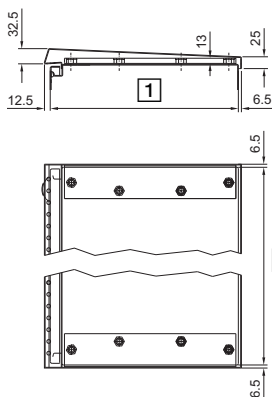
T1 = Housing depth +25 mm

T2 = Housing depth -90 mm, housing width 600 mm and over: Housing depth -115 mm

For		Model No.
Enclosure width inches (mm)	Enclosure depth inches (mm)	
8 (200)	6 (155)	2470.000
12 (300)	8 (210)	2361.000
15 (380)	6 (155)	2471.000
15 (380)	8 (210)	2472.000
20 (500)	8 (210)	2362.000
24 (600)	8 (210)	2473.000
30 (760)	12 (300)	2474.000
32 (800)	12 (300)	2475.000
39 (1000)	12 (300)	2363.000



for CM, carbon steel version



1 Housing depth

2 Housing width

Width inches (mm)	Depth inches (mm)	Model No.
24 (600)	16 (400)	5001.310
32 (800)	16 (400)	5001.330
39 (1000)	16 (400)	5001.350
47 (1200)	16 (400)	5001.360

Material:

- Carbon steel

Surface finish:

- Powder-coated, textured paint

Color:

- RAL 7035



Roof/Wall Mounting

Roof



Dust guard trim

for AE, CM, EB, KL

To prevent dust from accumulating on the top edge of the door and between the housing and the door/lid. Cut dust guard trim to length according to the width of the housing. Drill holes in the housing and fit the trim using adhesive strip and screws.

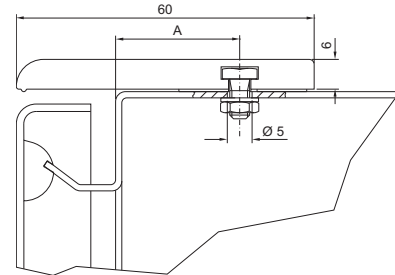
Material:

– Plastic, resistant to UV

Color:

– Similar to RAL 7024

For housing	Length inches (mm)	A inches (mm)	Model No.
AE	47 (1200)	1 (25)	2426.500
CM		0.8 (20)	
KL, EB		0.8 (20.5)	



Dust guard trim

for TS, SE

To prevent dust from accumulating on the top edge of the door and between the door and the upper horizontal enclosure profile. The dust guard provides space for text or company logos.

Color:

– RAL 7035

Supply includes:

– Clear plastic strip for text label (height 29.5 mm)

Length inches (mm)	Model No.
24 (600)	2424.100
32 (800)	2425.100
39 (1000)	2427.100
47 (1200)	2426.100

Note:

– Also suitable for use in conjunction with top baying cover 466

Roof/Wall Mounting

Roof

Top-mounted module

for TS

As a cable routing compartment for cable infeed from above or for power distribution using busbar systems across bayed enclosures. The standard TS roof plate is used to blank off the top of the enclosure. If a top-mounted module is used, the enclosure is raised by 200 mm.

The top baying cover cannot be fitted. Top and bottom expansion accessories, see diagram and explanation below.

Material:

– Carbon steel, 1.5 mm

Surface finish:

– Spray-finished, textured paint

Color:

– RAL 7035

Protection category IP to IEC 60 529:

– IP 55

Protection category NEMA:

– NEMA 12

For enclosures		Model No.
Width (W) inches (mm)	Depth inches (mm)	
24 (600)	24 (600)	8801.735
32 (800)	24 (600)	8801.745
39 (1000)	24 (600)	8801.755
47 (1200)	24 (600)	8801.765

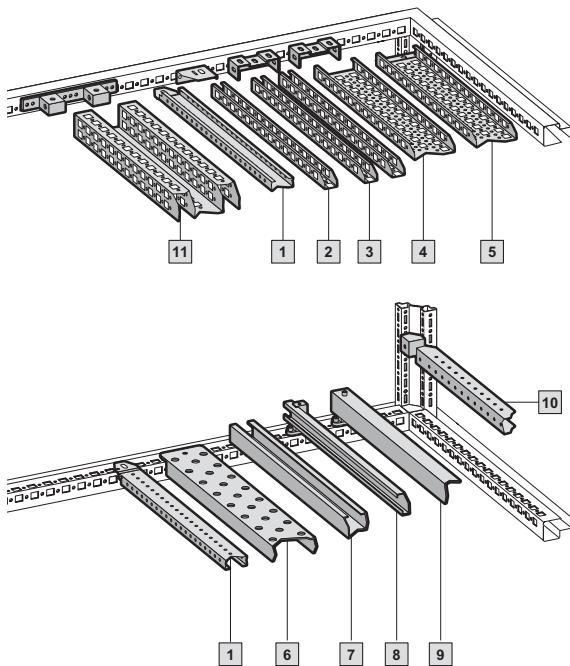
Supply includes:

- 1 frame module
- 2 trim panels (front and rear)
- 8 retainers with automatic potential equalization
- 4 threaded rods with transportation eyebolts



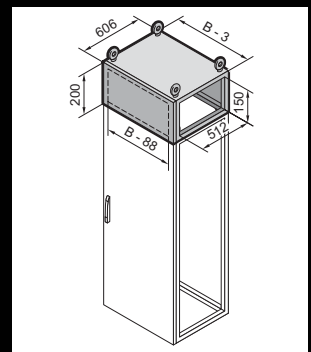
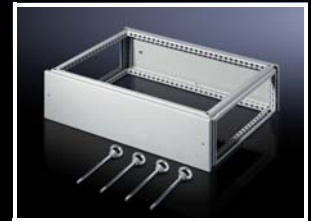
Also required:

- Side panel for top-mounted module, 8801.775, see page 501



Accessories:

Name	Page
1 TS punched rail 18 x 38 mm	525
2 PS punched rail 23 x 23 mm with angle brackets	526
3 PS punched rail 23 x 23 mm with PS support brackets	526
4 PS punched rail 23 x 73 mm with PS support brackets	527
5 PS system chassis 23 x 73 mm	528
6 Support rail	529
7 System support rails	529
8 C rail 30/15 with bracket or spacer	528
9 Cable clamp rail	574
10 TS punched rail 25 x 38 mm	524
11 TS punched section without mounting flange 45 x 88 mm	523



Side panel

for top-mounted module

To blank off the side of a top-mounted module or bayed suite.

Material:

– Carbon steel, 1.5 mm

Surface finish:

– Spray-finished, textured paint

Color:

– RAL 7035

Supply includes:

– Assembly components

Packs of	Model No.
2 pc(s).	8801.775



Roof/Wall Mounting

Roof



Roof mounting screw

To screw-fasten the roof plate in place of the transportation eyebolts. With contact washers for equipment bonding.

Thread: M12

Material:

- Steel

Surface finish:

- Zinc-plated

Supply includes:

- 20 pan head screws M 12 x 20, hex socket
- 20 serrated lock washers A 12.5

Packs of	Model No.
20 pc(s).	4198.000



Spacers

for TS roof plate

To raise the TS roof for ventilation purposes, in three different heights. Not suitable for crane transportation!

Thread: M12

Material:

- Hexagon section steel

Surface finish:

- Zinc-plated

Supply includes:

- Assembly components

Height inches (mm)	Packs of	Model No.
0.4 (10)	4 pc(s).	2422.000
0.8 (20)	4 pc(s).	2423.000
2 (50)	4 pc(s).	7967.000



Transportation eyebolts

for TS, SE

For crane transportation of enclosures, where not already included in the supply.

Thread: M12

Supply includes:

- 4 transportation eyebolts M12
- 4 serrated lock washers A 12.5

Material	Packs of	Model No.
Zinc-plated carbon steel C 15E	4 pc(s).	4568.000
Stainless steel 1.4301 (AISI 304)	4 pc(s).	4568.500



Transportation eyebolts

for CM

For crane transportation of enclosures, reinforcement plate to place underneath. Mounting via the two holes in the top of the CM.

Thread: M12

Supply includes:

- Transportation eyebolts
- Reinforcement plates

Packs of	Model No.
2 pc(s).	2509.500



Transportation eyebolts

for AE

For crane transportation of enclosures, reinforcement plate to place underneath.

Thread: M12

Supply includes:

- Transportation eyebolts
- Reinforcement plates

Packs of	Model No.
4 pc(s).	2509.000